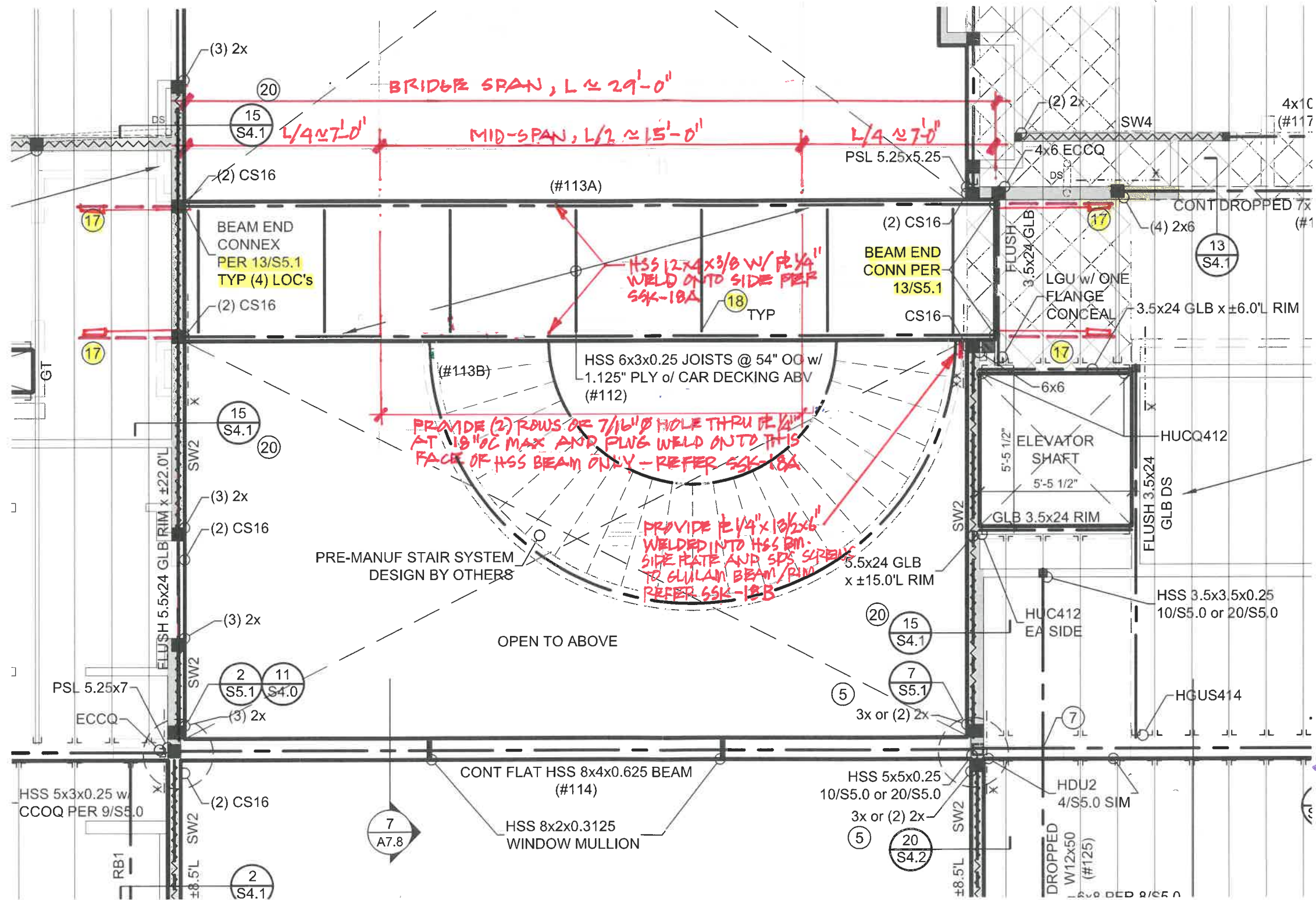


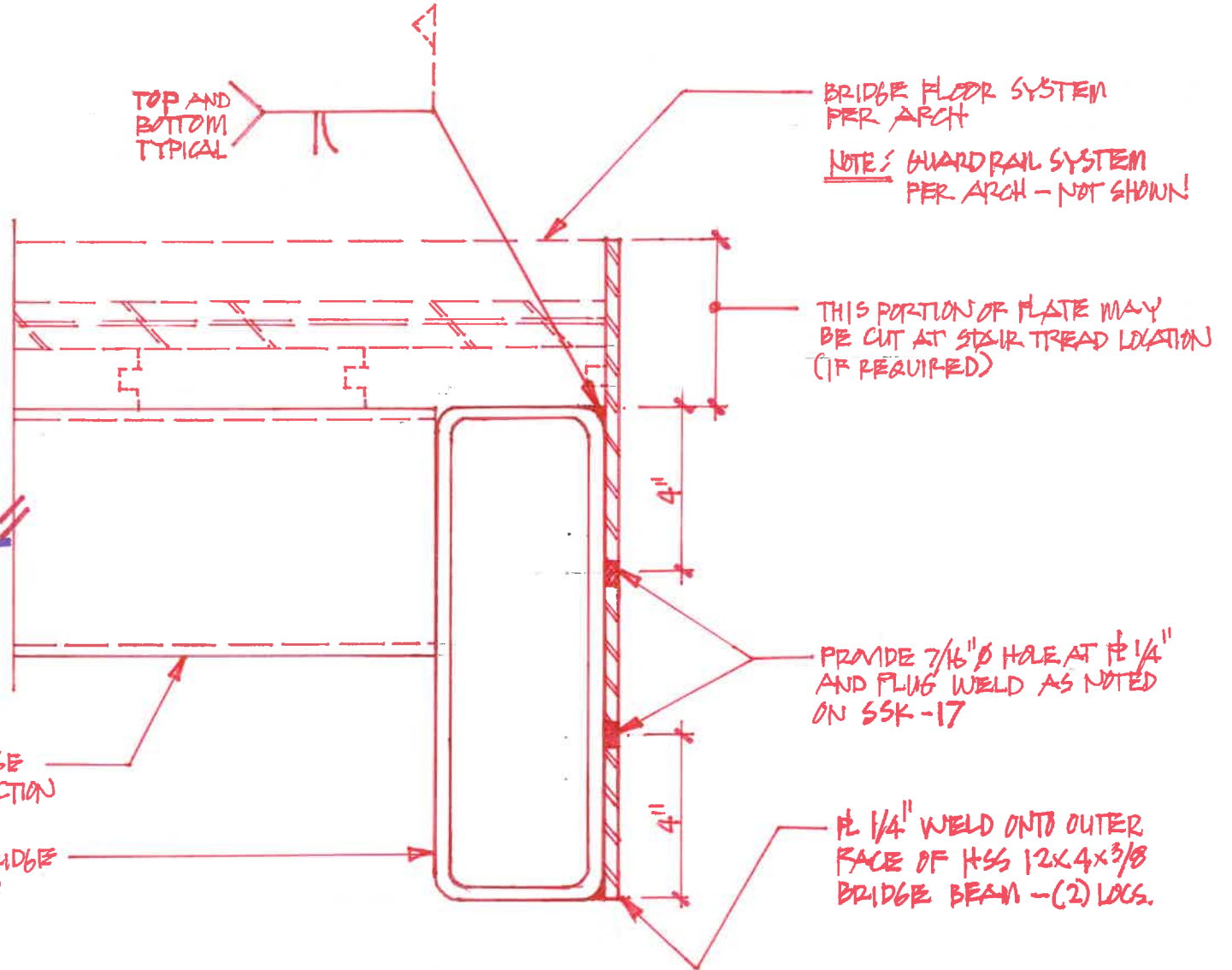
KONERU RESIDENCE



SSK-17, BRIDGE BEAM REVIS. [PARTIAL (REVISED) UPPER FLOOR FRMG. - A1.4]

NTS

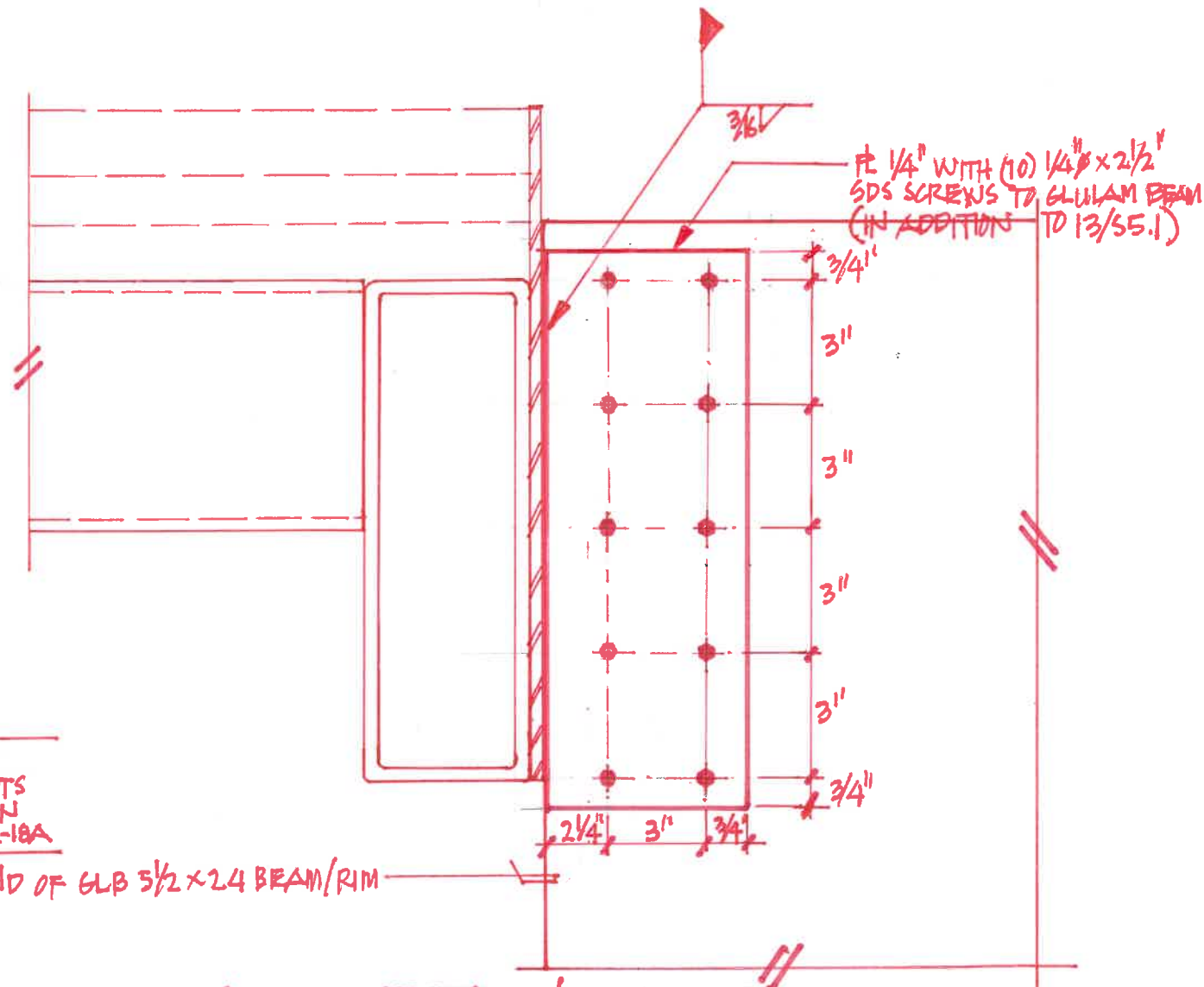
REVIS. 8/01/23
8/07/23



SSK-18A, BRIDGE BEAM REVISIONS

NTS

REVISION: 8/07/23



PL 1/4" WITH (10) 1/4" x 2 1/2" SDS SCREWS TO GLULAM BEAM (IN ADDITION TO 13/55.1)

NOTE:
FOR CALL OUTS
IN COMMON
REFER SSK-18A

END OF GLB 5 1/2 x 24 BEAM/RIM

SSK-18B, WEST SIDE BRIDGE BM. ADDL END CONN.

NTS

REVIS: 8/07/23

3 of 3